

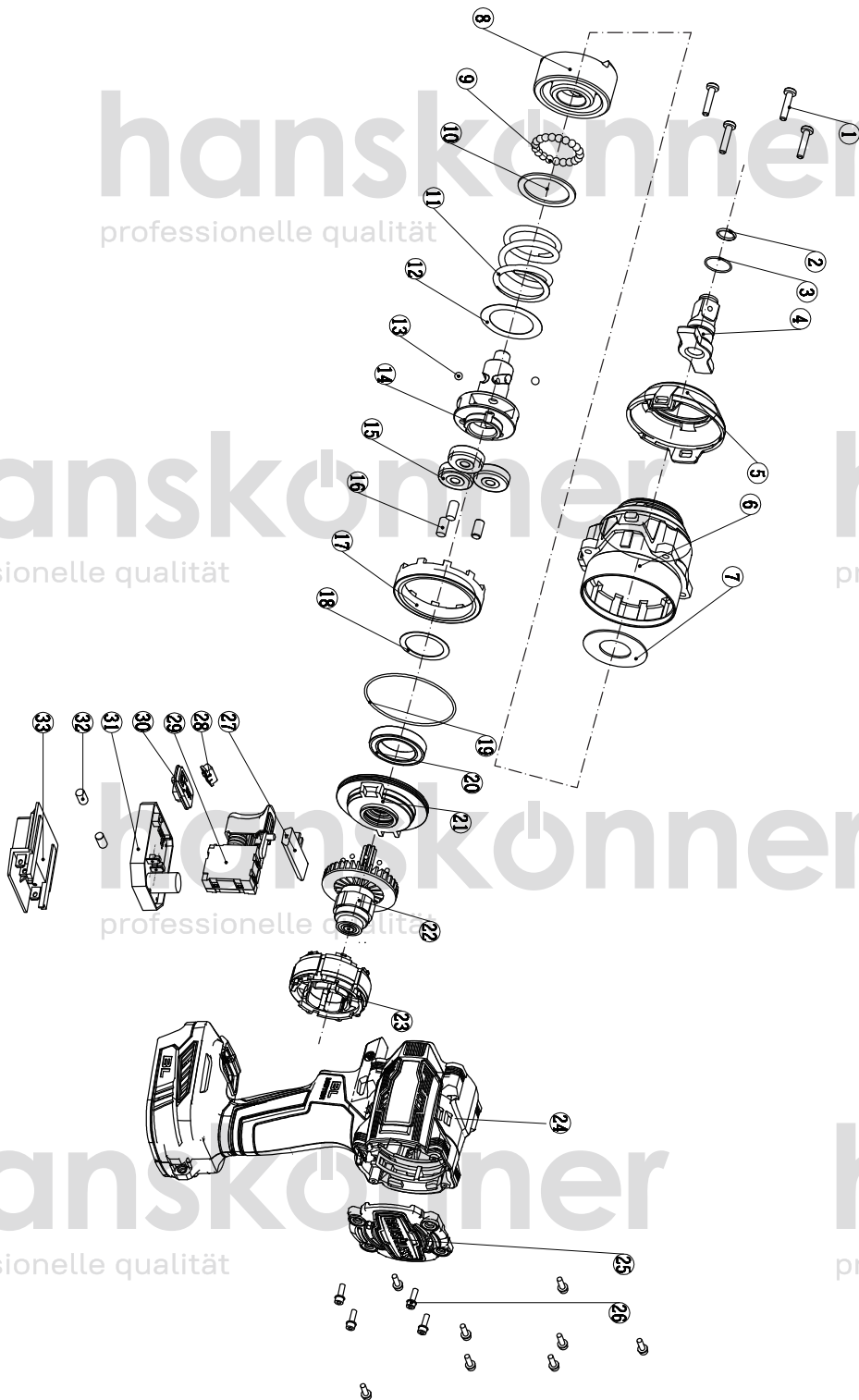
hanskonner
professionelle qualität

hanskonner
professionelle qualität

HCD20600BL

NO.	DESCRIPTION
1	SCREW ST4.0X20
2	O-RING
3	CIRCLIP
4	OUTPUT SHAFT
5	RUBBER COVER
6	GEAR BOX
7	WASHER
8	IMPACT BLOCK
9	STEEL BALL
10	WASHER
11	SPRING
12	WASHER
13	STEEL BALL
14	INTERMEDIATE SHAFT
15	PLANET GEAR
16	PIN
17	GEAR RING
18	WASHER
19	O-RING
20	BEARING 6805-2RS
21	GEAR RING COVER
22	ROTOR
23	STATOR
24	HOUSING
25	REAR COVER
26	SCREW ST3X16
27	DIRECTION SWITCH
28	LED COVER
29	SWITCH
30	SPEED CONTROL BUTTON
31	MOTOR PCB
32	RUBBER COLUMN
33	CONNECTION FOOT

HCD20600BL-EX-RUS230620



hanskonner
professionelle qualität

hanskonner
professionelle qualität

hanskonner
professionelle qualität

hanskonner
professionelle qualität